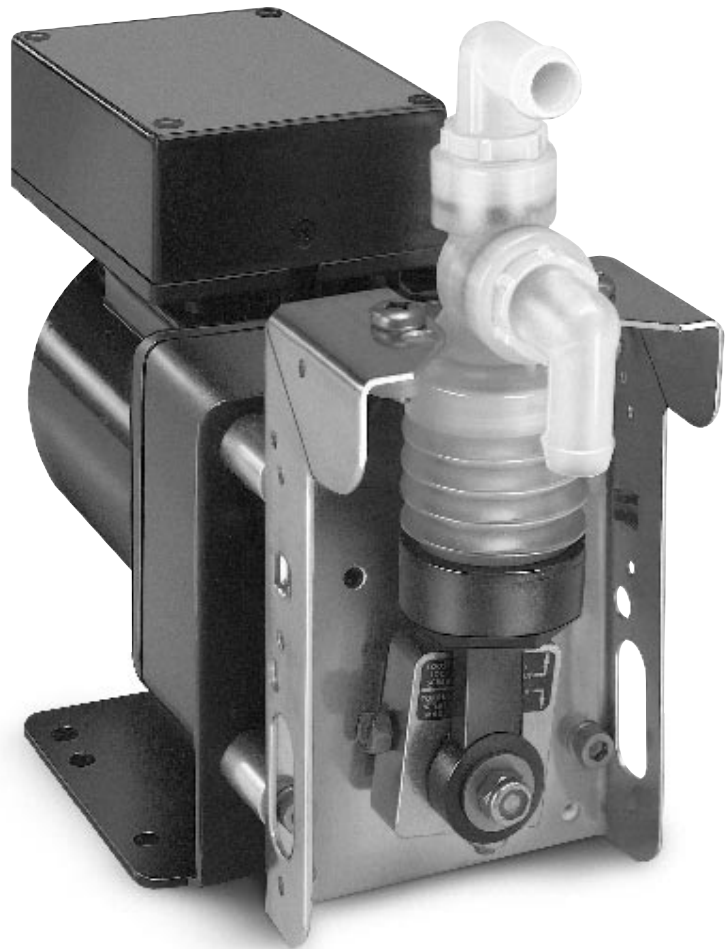


# Dial- A-Flow<sup>®</sup> Pumps

The Dial-A-Flow<sup>®</sup> pump is supplied with an adjustable speed motor. Infinite speed adjustments can be made from 3 to 60 RPM. Speed control and adjustment of stroke length can be utilized to obtain desired flow rate. The Dial-A-Flow<sup>®</sup> pump uses a standard crank mechanism.



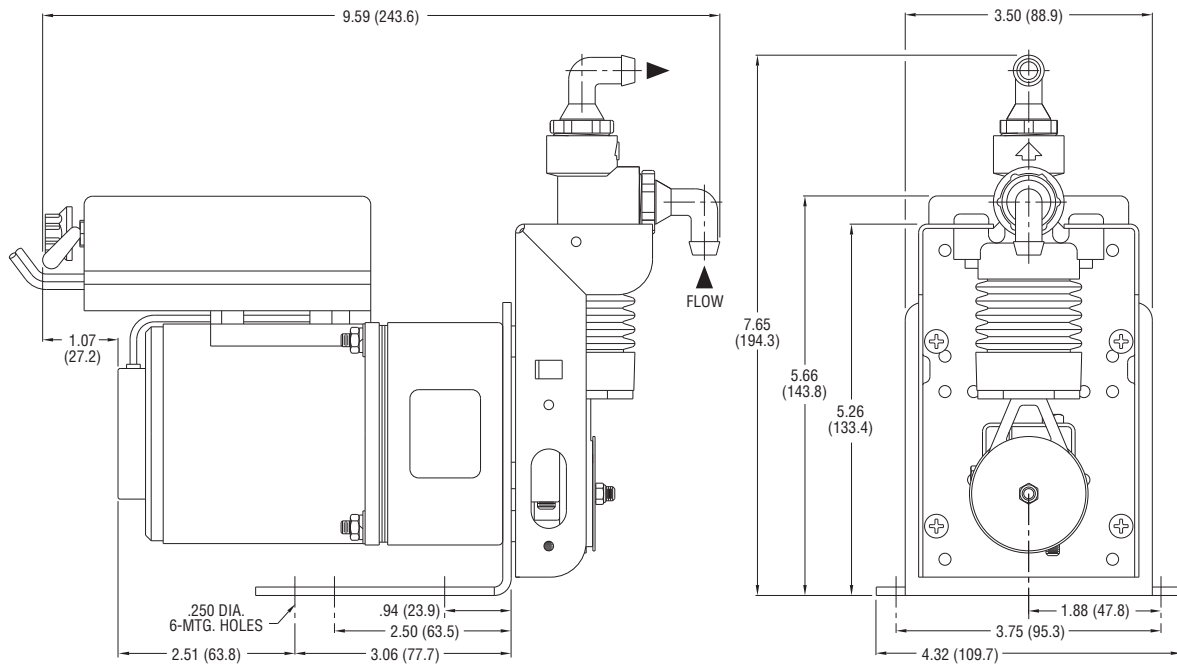
**1 1/2" DIAL-A- FLOW<sup>®</sup> MODEL**

## MODEL SPECIFICATIONS

Single Model Number		Bellows Diameter Inches	Discharge Strokes per minute (Motor RPM)		Maximum Flow ml per minute		Gallons (Liters) per hour		Max. Pressure PSI (kg/cm <sup>2</sup> )	Electrical Amps* 115V 60 Hz	Approx. Wt. lbs.
115V/60 Hz	220V/50 Hz		50 Hz	60 Hz	50 Hz	60 Hz	50 Hz	60 Hz			
15950-001	N/A	1 1/2	50	60	525	630	8.3 (31.5)	10 (37.8)	20 (1.5)	.85	6

# DIAL-A-FLOW® BELLOWS - TYPICAL DIMENSIONS

## 1½" Model



Dimensions in Inches  
(Dimensions in Millimeters)

**Order Notes:** When ordering a Dial-A-Flow® model, add one "X" code for valve and O-ring material selection and one "T" code for connector selection from the Bellows Part Selection Guide.

**Example:** 15950-001 (1½" bellows model) with Hypalon® poppet valves and O-rings and elbow connectors for ½" I.D. tubing would be ordered as 15950-001 X-115 T-009.