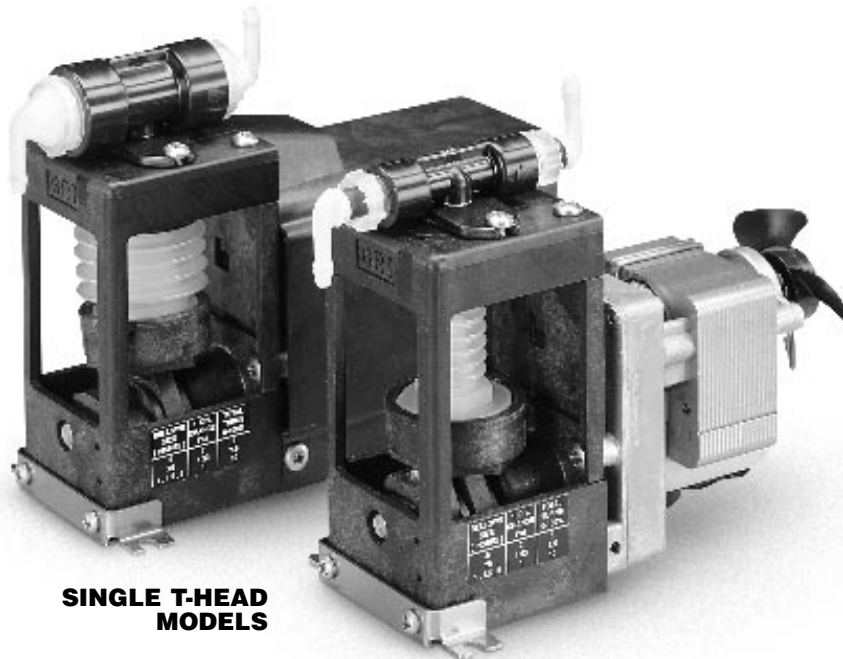
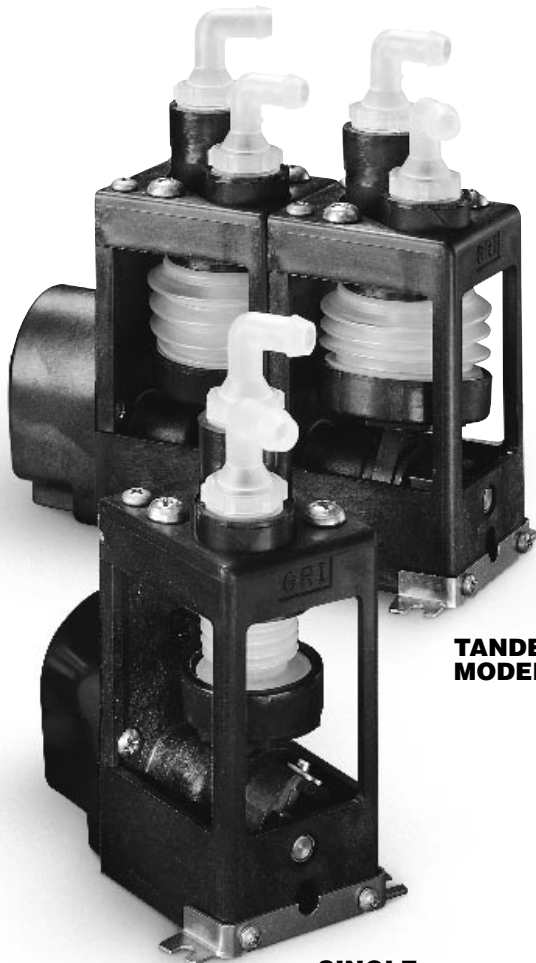


# Mini Bellows *Pumps*

Mini bellows models are ideal for low flow, low pressure metering applications. The pump is constructed entirely of plastic and utilizes GRI's time-proven bellows technology to provide an accurate chemically-resistant metering pump with a long life, at an economical price.



**SINGLE T-HEAD MODELS**



**TANDEM MODEL**

**SINGLE MODEL**

## Features:

- Average repeatability from stroke-to-stroke,  $\pm 0.75\%$
- Dry run capability
- Self-priming
- No dynamic seals
- Superior corrosion resistance
- Economical
- Simple flow adjustment

## Pump Specifications:

- Average Repeatability** — From stroke-to-stroke  $\pm 0.75\%$
- Flow Rates** — To 270 ml/min
- Fluid Temperatures** — To 140°F (60°C)
- Discharge Pressure** — To 6 psi

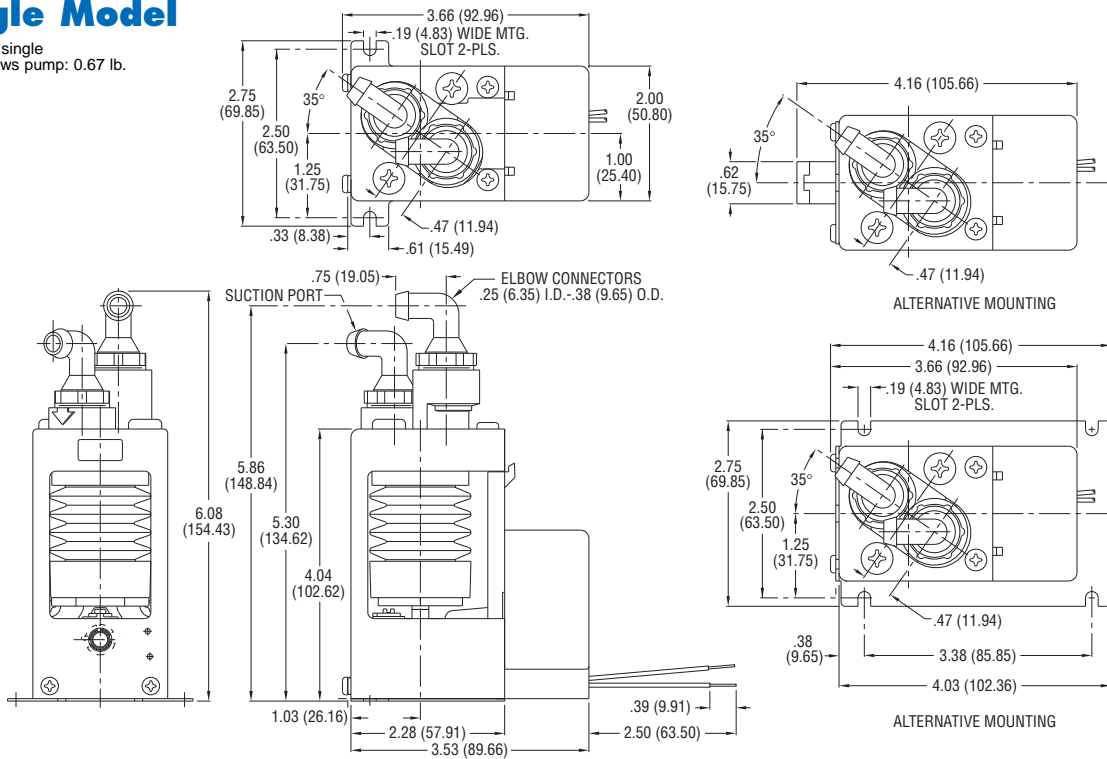
## Motors:

The standard motor available for the Mini Bellows Pump is an AC voltage synchronous motor. Motors are UL listed and continuous duty rated and are available in 115V, 50/60 Hz or 230V, 50/60 Hz.

# MINI BELLOWS PUMPS - TYPICAL DIMENSIONS

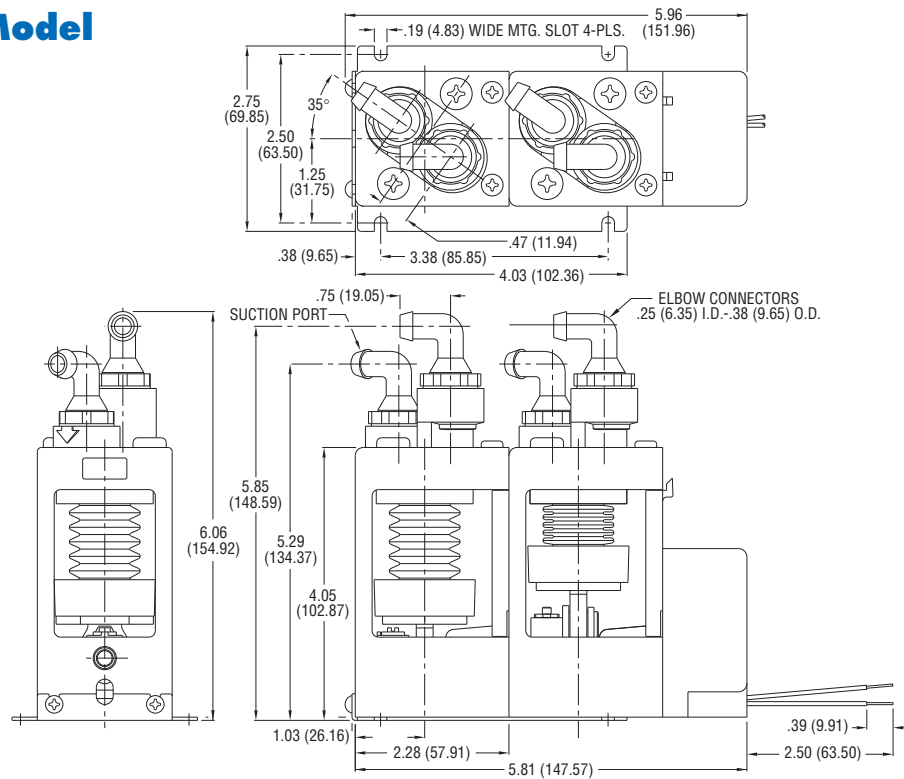
## Single Model

Weight of single mini bellows pump: 0.67 lb.



## 2-Tandem Model

Weight of 2-tandem mini bellows pump: 1.0 lb.

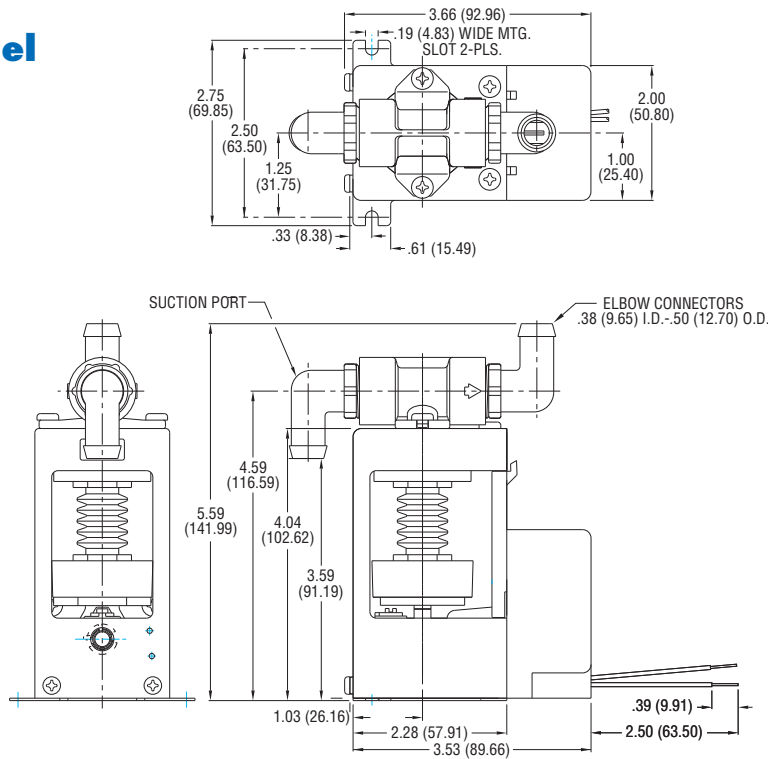


Dimensions in Inches  
(Dimensions in Millimeters)

# MINI BELLOWS PUMPS - TYPICAL DIMENSIONS

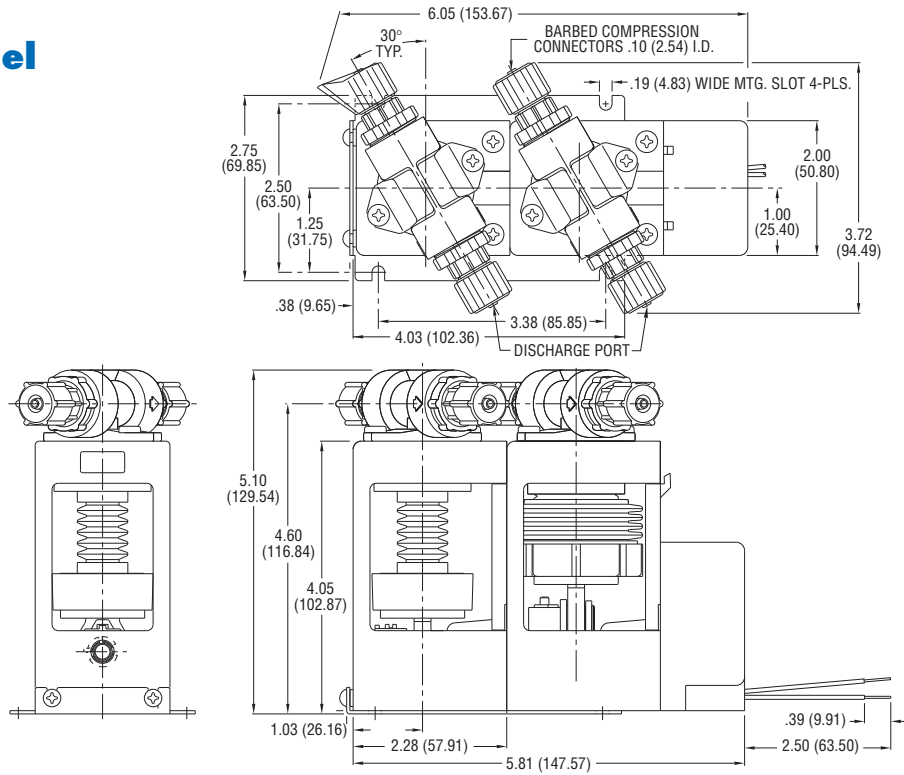
## Single T-Head Model

Weight of single mini bellows pump: 0.67 lb.



## 2-Tandem T-Head Model

Weight of 2-tandem mini bellows pump: 1.0 lb.



Dimensions in Inches  
(Dimensions in Millimeters)

