

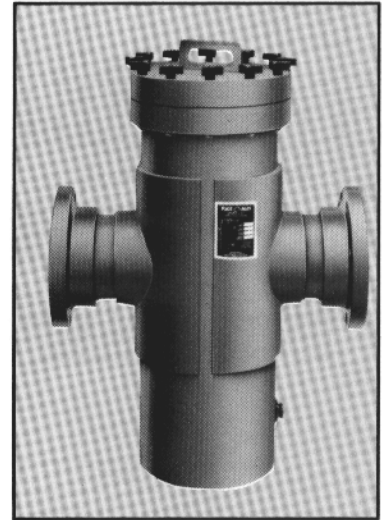
Corrosion Resistant Polypropylene Basket Strainers... Protect Equipment From Foreign Materials

Series LST in Polypropylene

Sizes: 2", 3" 4", 6" & 8"*

Superior Features:

- Non-jamming & quick removal cover for ease of cleaning. No tools needed.
- High performance and competitive cost is a direct result of simple heavy-duty construction.
- Sturdy perforated baskets designed for ease of servicing and long life.
- Large basket capacity for less frequent cleaning.
- High flow capability with pressures to 40 PSI. See chart on back of page.
- Optional Gauge Guard connections for measuring pressure drop across a clean versus a debris-filled basket. Gauge Guards protect gauges from corrosion and clogging.



Body and Cover Design: The bodies of the Plast-O-Matic basket strainers are heavy duty welded construction, and all wetted parts are polypropylene for maximum corrosion resistance. The bodies are available with pipe connections of 2" and 3" threaded or flanged, and 4", 6" & 8" sizes flanged only. The cover is a heavy duty plate securely bolted to the body with easy to remove hand knobs (no tools necessary) for quick servicing. The cover seal is an O-ring that is pulled against the body face resulting in a non-jamming positive closure. It simply lifts off. Refer to the charts on the back page for pressure/temperature ratings and other specifications.

Basket Strainer Design: The Plast-O-Matic polypropylene perforated baskets (stainless optional) are a heavy duty welded construction designed for durability and ease of removal and cleaning. They have a large ratio of open basket area to pipe size to increase time between cleanings. The 2", 3" and 4" sizes have a 1/8" (3.2mm) wall thickness with 1/8" diameter holes as standard. The 6" and 8" sizes have a 3/16" (4.8 mm) wall thickness with 1/4" holes as standard. It is recommended to keep a spare basket on hand at all times.

Materials of Construction: The bodies, covers, and baskets are polypropylene (For further information on stainless steel baskets consult factory). The assembly tie rods and bolts are Type 303 Stainless. O-ring cover seals are Viton; other seal materials optional. The molded hand knobs are phenolic with brass threaded inserts.

*Refer to Catalog KST for sizes 2", 3" & 4" in PVC and CPVC, and Catalog VSTS for sizes 6" - 14" in PVC.

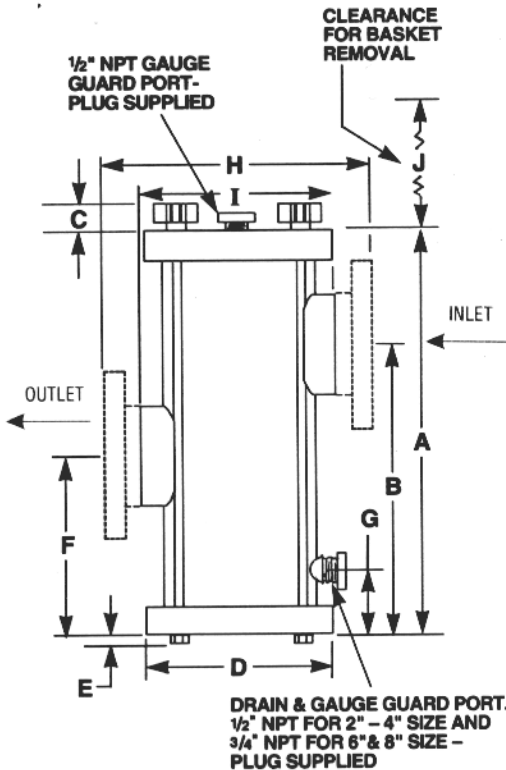
Series LST - Basket Strainers in Polypropylene

OPERATING PRESSURES VS TEMPERATURES

TEMPERATURE POLYPRO PIPE SIZE	75°F (24°C)		100°F (38°C)		120°F (49°C)		140°F (60°C)		160°F (71°C)		180°F (82°C)	
	PSI	BARS	PSI	BARS	PSI	BARS	PSI	BARS	PSI	BARS	PSI	BARS
2	40	2,76	35	2,41	30	2,07	26	1,79	20	1,38	2	0,14
3	40	2,76	35	2,41	30	2,07	26	1,79	20	1,38	2	0,14
4	30	2,07	25	1,73	22	1,52	20	1,38	15	1,04	2	0,14
6	40	2,76	35	2,41	30	2,07	26	1,79	20	1,38	2	0,14
8	30	2,07	25	1,73	22	1,52	20	1,39	15	1,04	2	0,14

Notes: Full vacuum rating to maximum of 160°F (71° C)

Caution: Threaded connections with polypropylene are not recommended above 15 PSI as they can cause leaks.



DRAIN & GAUGE GUARD PORT.
1/2" NPT FOR 2" - 4" SIZE AND
3/4" NPT FOR 6" & 8" SIZE -
PLUG SUPPLIED

Note: Illustration is for 2", 3" & 4" size design.
The 6" & 8" sizes are inline design where
"B" & "F" dimensions are the same.

DIMENSIONS

SIZE	2		3		4		6		8	
	IN	mm	IN	mm	IN	mm	IN	mm	IN	mm
A	14	356	17 3/8	442	22	559	31	787	42	1067
B	10 5/8	270	13 3/16	335	16 13/16	427	16 1/4	413	23 1/2	547
C	2 3/16	56	2 7/16	62	2 11/16	68	4	102	4	102
D	5 3/4	146	8	203	10	254	10 3/4	273	12 3/4	324
E	1/4	6	3/8	10	3/8	10	-	-	-	-
F	5 7/8	150	7 1/2	191	7 3/4	197	16 1/4	413	23 1/2	597
G	7/8	22	1	25	1	25	1	25	1	25
H	9 1/4	235	12 1/4	311	16 7/8	429	24	610	31 3/4	806
I	6	152	9 3/8	238	-	-	-	-	-	-
J	12	305	15	381	18	457	27	686	37	940

PART NUMBERS

SIZE	2	3	4	6	8
Polypro Threaded	LST0200VT-PP	LST0300VT-PP	N.A.	N.A.	N.A.
Polypro Flanged	LST0200VF-PP	LST0300VF-PP	LST0400VF-PP	LST0600VF-PP	LST0800VF-PP

BASKET SPECIFICATIONS*

DESCRIPTIONS	SIZE 2		3		4		6		8	
	IN	mm	IN	mm	IN	mm	IN	mm	IN	mm
BASKET DIAMETER	3	76	4 3/4	121	6 1/2	165	8	203	10	254
BASKET LENGTH	7	178	9	229	11	279	26 5/8	676	37 5/8	956
HOLE DIAMETER	1/8	3	1/8	3	1/8	3	1/4	6	1/4	6
HOLE CENTERS	7/32	5,5	7/32	5,5	7/32	5,5	3/8	9,5	3/8	9,5
BASKET OPEN AREA	19 ²	123 ²	40 ²	258 ²	68 ²	439 ²	70 ²	451 ²	128 ²	825 ²
BASKET CAPACITY	40 ³	6552 ³	135 ³	2212 ³	300 ³	4916 ³	1200 ³	19665 ³	2650 ³	43426 ³

* Consult factory for special dimensions.

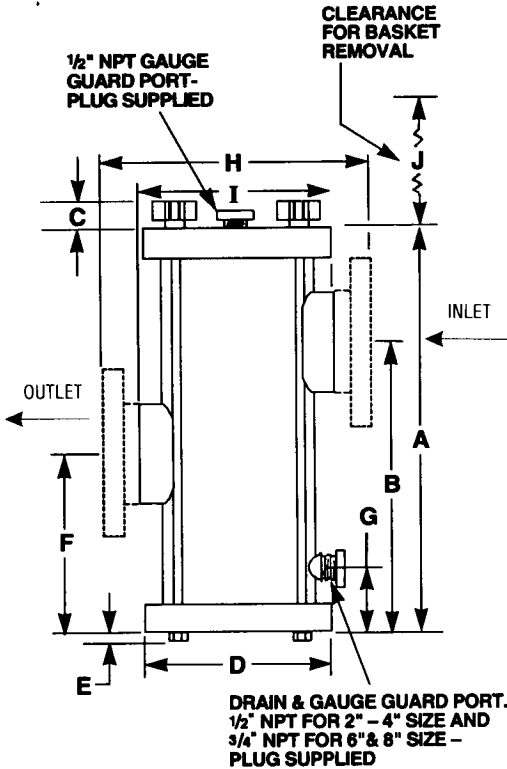
Series LST - Basket Strainers in Polypropylene

OPERATING PRESSURES VS TEMPERATURES

TEMPERATURE POLYPRO PIPE SIZE	75°F (24°C)		100°F (38°C)		120°F (49°C)		140°F (60°C)		160°F (71°C)		180°F (82°C)	
	PRESSURE PSI	PRESSURE BARS	PRESSURE PSI	PRESSURE BARS	PRESSURE PSI	PRESSURE BARS	PRESSURE PSI	PRESSURE BARS	PRESSURE PSI	PRESSURE BARS	PRESSURE PSI	PRESSURE BARS
2	40	2,76	35	2,41	30	2,07	26	1,79	20	1,38	2	0,14
3	40	2,76	35	2,41	30	2,07	26	1,79	20	1,38	2	0,14
4	30	2,07	25	1,73	22	1,52	20	1,38	15	1,04	2	0,14
6	40	2,76	35	2,41	30	2,07	26	1,79	20	1,38	2	0,14
8	30	2,07	25	1,73	22	1,52	20	1,39	15	1,04	2	0,14

Notes: Full vacuum rating to maximum of 160°F (71° C)

Caution: Threaded connections with polypropylene are not recommended above 15 PSI as they can cause leaks.



DIMENSIONS

SIZE	2		3		4		6		8	
	IN	mm	IN	mm	IN	mm	IN	mm	IN	mm
A	14	356	17 3/8	442	22	559	31	787	42	1067
B	10 5/8	270	13 3/16	335	16 13/16	427	16 1/4	413	23 1/2	547
C	2 3/16	56	2 7/16	62	2 11/16	68	4	102	4	102
D	5 3/4	146	8	203	10	254	10 3/4	273	12 3/4	324
E	1/4	6	3/8	10	3/8	10	-	-	-	-
F	5 7/8	150	7 1/2	191	7 3/4	197	16 1/4	413	23 1/2	597
G	7/8	22	1	25	1	25	1	25	1	25
H	9 1/4	235	12 1/4	311	16 7/8	429	24	610	31 3/4	806
I	6	152	9 3/8	238	-	-	-	-	-	-
J	12	305	15	381	18	457	27	686	37	940

Note: Illustration is for 2", 3" & 4" size design.
The 6" & 8" sizes are inline design where "B" & "F" dimensions are the same.

PART NUMBERS

SIZE	2	3	4	6	8
Polypro Threaded	LST0200VT-PP	LST0300VT-PP	N.A.	N.A.	N.A.
Polypro Flanged	LST0200VF-PP	LST0300VF-PP	LST0400VF-PP	LST0600VF-PP	LST0800VF-PP

BASKET SPECIFICATIONS*

DESCRIPTIONS	2		3		4		6		8	
	IN	mm	IN	mm	IN	mm	IN	mm	IN	mm
BASKET DIAMETER	3	76	4 3/4	121	6 1/2	165	8	203	10	254
BASKET LENGTH	7	178	9	229	11	279	26 5/8	676	37 5/8	956
HOLE DIAMETER	1/8	3	1/8	3	1/8	3	1/4	6	1/4	6
HOLE CENTERS	7/32	5,5	7/32	5,5	7/32	5,5	3/8	9,5	3/8	9,5
	IN	cm	IN	cm	IN	cm	IN	cm	IN	cm
BASKET OPEN AREA	19 ²	123 ²	40 ²	258 ²	68 ²	439 ²	70 ²	451 ²	128 ²	825 ²
BASKET CAPACITY	40 ³	6552 ³	135 ³	2212 ³	300 ³	4916 ³	1200 ³	19665 ³	2650 ³	43426 ³

* Consult factory for special dimensions.

PLAST-O-MATIC
VALVES, INC.



AUTHORIZED PLAST-O-MATIC DISTRIBUTOR